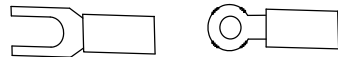
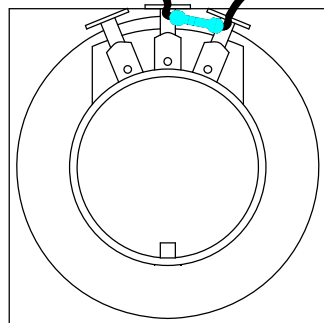


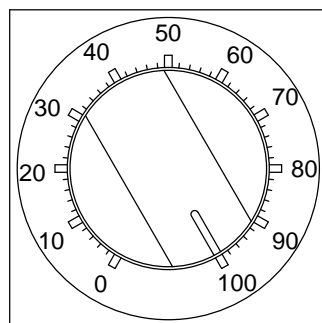
Wire termination on load side of SSR relay must be made with ring or fork cable lugs to prevent high resistance joints.



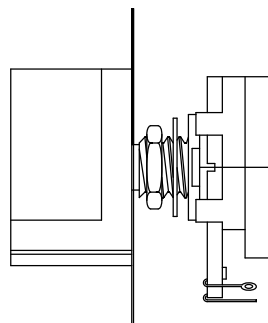
CONNECTION DETAILS



REAR VIEW
KNOB



FRONT VIEW
KNOB



SIDE VIEW
KNOB

40 AMP SOLID STATE DIMMER POTENTIOMETER WITH DECAL & KNOB MODEL No: TCSSRR2540

SOLID STATE VARIABLE OUTPUT DEVICE,
SUPPLIED WITH AN EXTERNAL POTENTIOMETER (PANEL MOUNTED)
THAT WILL GIVE AN OUTPUT BETWEEN 25 & 240 VAC WHEN FITTED
WITH A SUITABLE HEAT SINK RATED TO 40 AMPS.

APPLICATIONS INCLUDE:
VARIABLE POWER SUPPLIES,
LIGHTING CONTROLS &
HEATER BANKS

SPECIFICATIONS

- * SIZE 60mm x 45mm x 25mm
- * MAXIMUM CURRENT 40 AMPS (WITH SUITABLE HEAT SHRINK)
- * OUTPUT VOLTAGE 25 - 250 VOLTS
- * AMBIENT TEMP RATING -30 to 75 DEG C
- * TURN ON / OFF TIME <0.5 CYCLES
- * SURGE CURRENT 8 TIMES RATED

TEMPERATURE CONTROLS PTY LTD		Certificate No: QEC 14412 AS/NZS 9001:2000
<p>CONDITIONS</p> <p>THIS DRAWING IS OUR EXCLUSIVE PROPERTY AND MUST NOT BE COPIED OR HANDED TO ANY OTHER PARTIES WITH OUT WRITTEN PERMISSION. IT SHALL BE RETURNED UPON REQUEST</p>	<p>SYDNEY : 7 YAMMA ST SEFTON , NSW 2162 PHONE : (02) 9721 8644 FAX : (02) 9738 9339 MELBOURNE : 8/280 Whitehall St YARRAVILLE VIC 3013 PHONE : (03) 9687 0000 FAX : (03) 9687 1900 EMAIL : sales@temperature.com.au</p>	
	<p>TITLE</p>	
SIZE : A4	DATE : 01/03/10	DWG NO : SD 485
SCALE : NTS	DRAWING BY R.B	REV : 04

